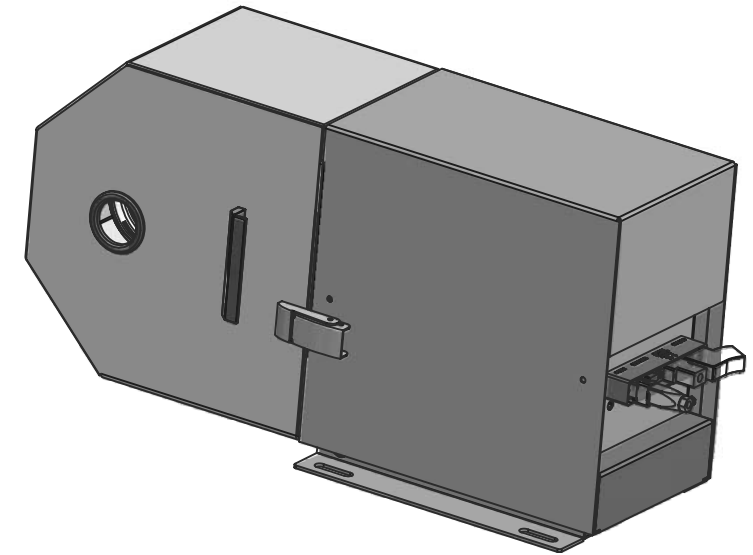
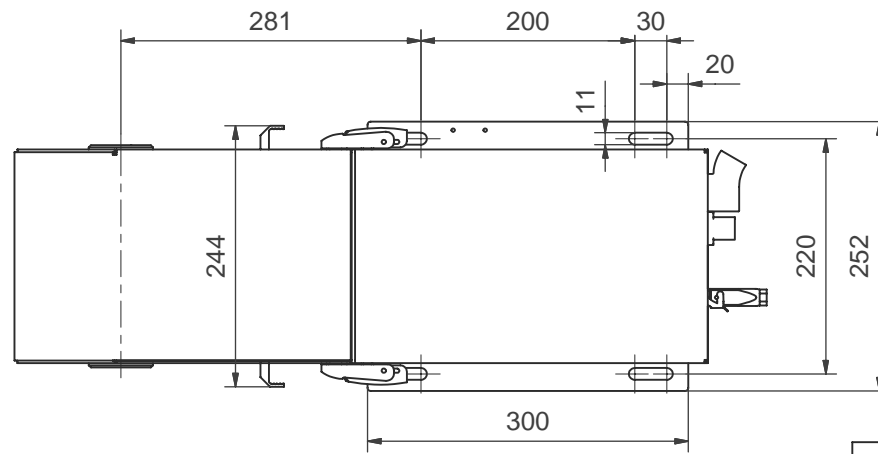
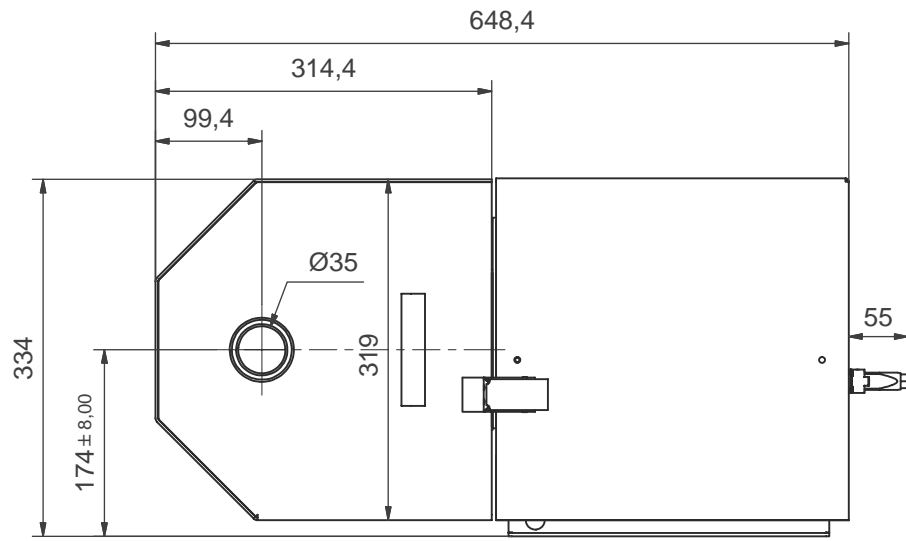


Copying of this document and giving it to others and the use or communication of the contents thereof, are forbidden without express authority. Offenders are liable to the payment of damages. All rights are reserved in the event of the grant of a patent or the registration of a utility model or design.



Identnummer / Part no.		Allgemeintoleranzen General tolerances		Maßstab / Scale 1:5	
		DIN7168-m		Material	
				Beschichtung Coating	
		Date		Name	
		05.05.2009		K.Dröge	
		Checked			
		Approved			
				Benennung / Title	
				Verkauf / for sale	
				Centerview 8025 with placing device	
				Zeichnungsnummer / Dwg no.	
				EG02EM01	
				Blatt / Sheet	
				1 / 1	
				Original size	
				DIN A3	
Rev	Modification	Date	Name	File	EG02EM01 Centerview 8025 mit Positioniereinheit.idw

